

# LANL Plan to Exploit the Full Potential for LANSCE

---

**Presentation to  
Basic Energy Sciences Advisory Committee  
February 26, 2001**

***John C. Browne  
Los Alamos National Laboratory Director  
and  
Paul W. Lisowski  
LANSCE Division Director***

# LANL Goal: Deliver Neutrons and Protons Safely and Reliably for All LANSCE Users

---

1. Appoint new LANSCE management team
2. Engage other scientific user facilities to benchmark & improve LANSCE performance
3. Develop and implement effective governance model involving NNSA, SC, LANL & user communities
4. Ensure appropriate support & oversight, informed by independent review of operations budget
5. Pause BES development of new Lujan instruments to focus on operation of the user program
6. Increase LDRD investment in Lujan science program
7. Maintain strong communication with LANSCE User Group (LUG)

# LANL Plan to Exploit the Full Potential for LANSCE (1)

---

- **Management team in place**
  - Paul Lisowski is LANSCE Division Director
  - Alan Hurd is Lujan Center Director and BES Neutron Scattering Program Manager
- **Benchmarking of scientific user facilities is underway**
- **Governance model developed and being implemented**
  - Incorporates the ideas and expertise of the LANSCE User Group and many at DOE and other facilities
- **LANSCE operations budget review (D. Lowenstein, Chair)**
  - Scheduled for June 2001
  - General awareness that the funding needed is likely to be larger than that currently provided.
- **Major near-term focus is on completing the outage successfully and returning to user program operations with high reliability on July 1, 2001.**

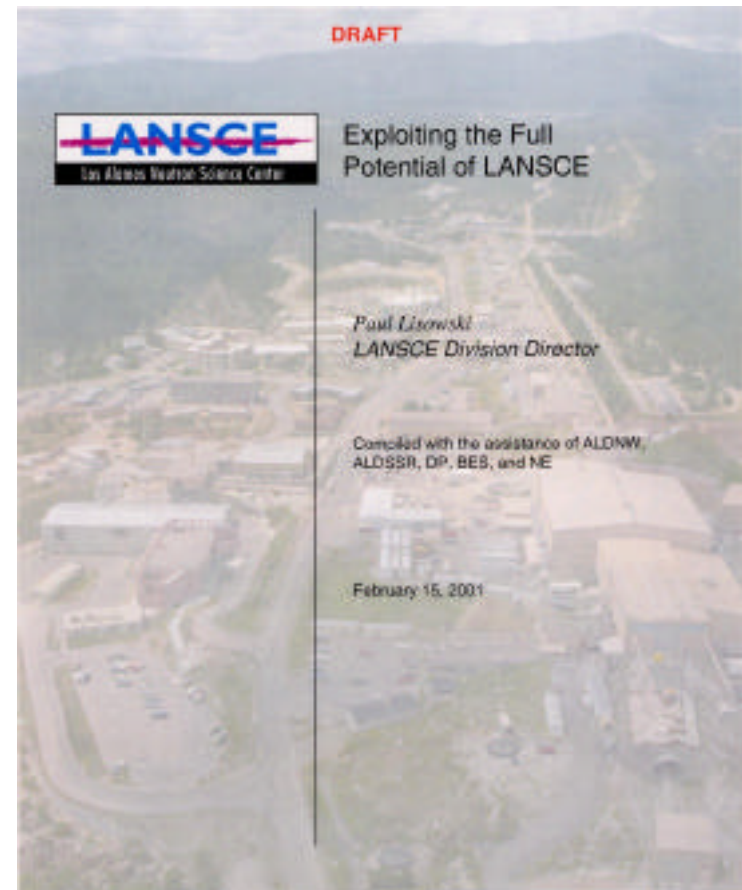
# LANL Plan to Exploit the Full Potential for LANSCE (2)

---

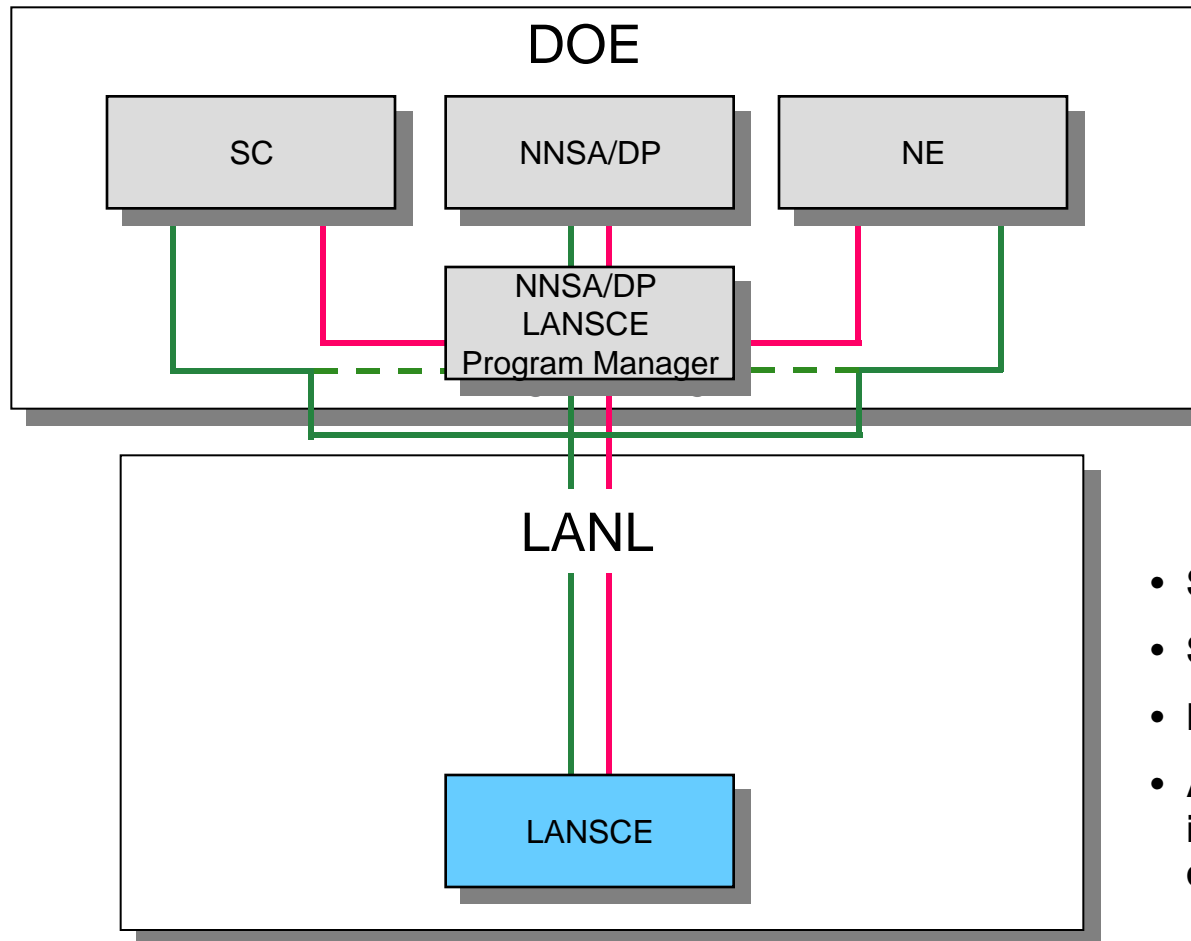
- **Pause in BES Spectrometer Development**
  - Spectrometer Development Teams (SDT) are being refocused onto instruments for the SNS.
  - Proposal to BES submitted to meet user demand for inelastic scattering, by completing the chopper spectrometer PHAROS for introduction into the user program by the 2002 run cycle.
- **LANSCE science planning**
  - Draft neutron scattering plan based on user input being compiled by Alan Hurd and others
  - A LANSCE planning workshop involving the broader user community will be held in concert with the next LUG meeting (summer 2001)
  - Will be integrated into NNSA/DP 5-year planning process
- **Additional LDRD investments in Lujan science obtained for FY2001**

# LANL Has Worked with DOE/NNSA & BES to Develop a Path Forward and Governance System

- **Identified needs and expectations of Customers**
  - NNSA/Defense Programs
  - SC/Basic Energy Sciences
  - Nuclear Energy, Science and Technology
- **Developed the elements of functional governance for LANSCE with its multiple customer needs.**
  - Within the User Community
  - Within DOE/NNSA
  - Within Los Alamos
- **Includes deliverables and a schedule to implement the plan**



# DOE Has Clarified its Chain of Command for LANSCE



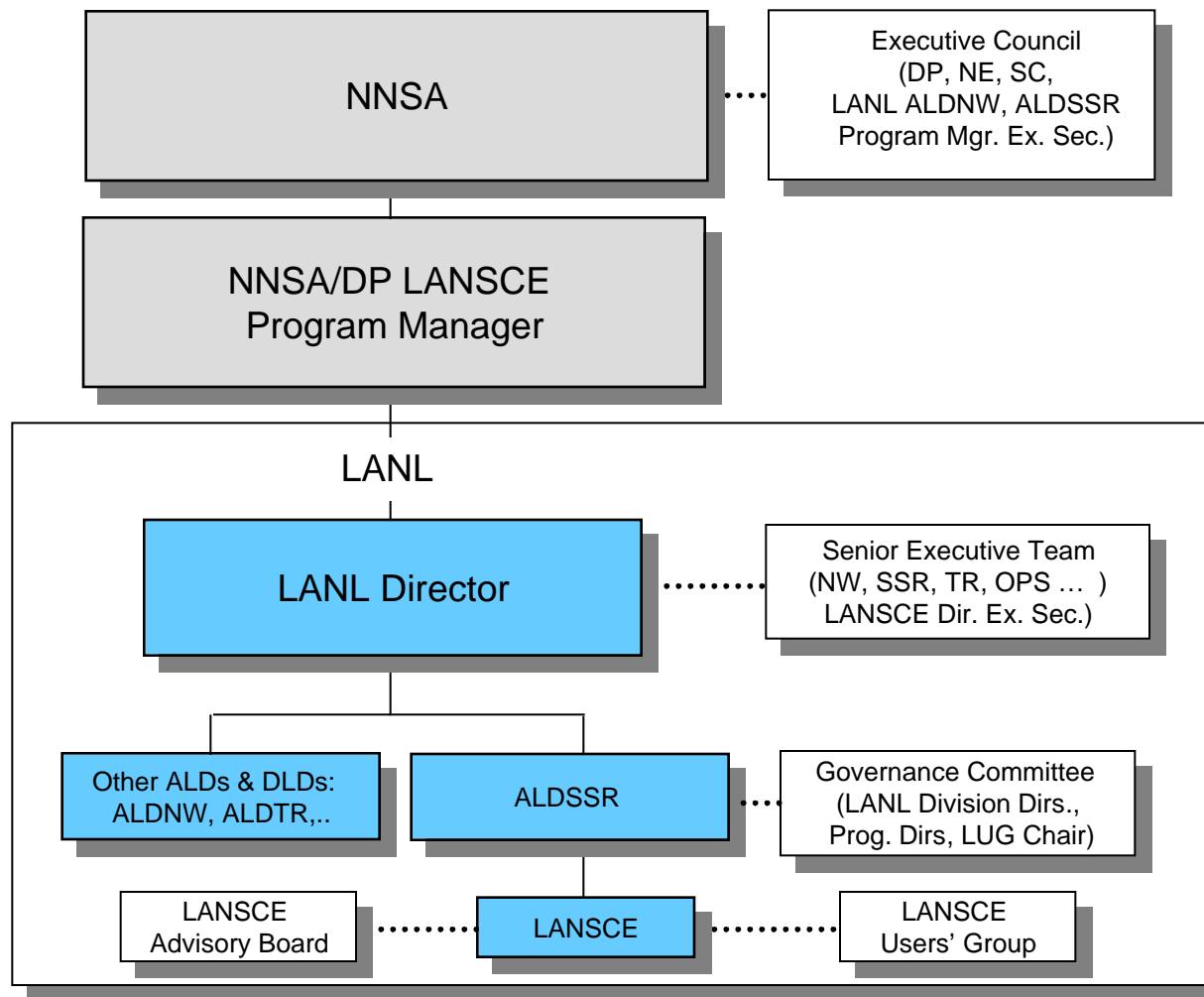
“Assign ... Defense Programs as the Organizational entity with corporate responsibility and accountability for strategic integration of all three program offices using LANSCE. This approach applies both to the short-term objective of facilitating IPF construction and the long-term goal of reliable accelerator operations.”

*from Memorandum from the Deputy Secretary of Energy to General Gordon 12/21/2000*

- Single Point Accountability
- Single Line of Authority
- Participation of all stakeholders
- Authority and Responsibility chain includes accountability for those controlling the resources

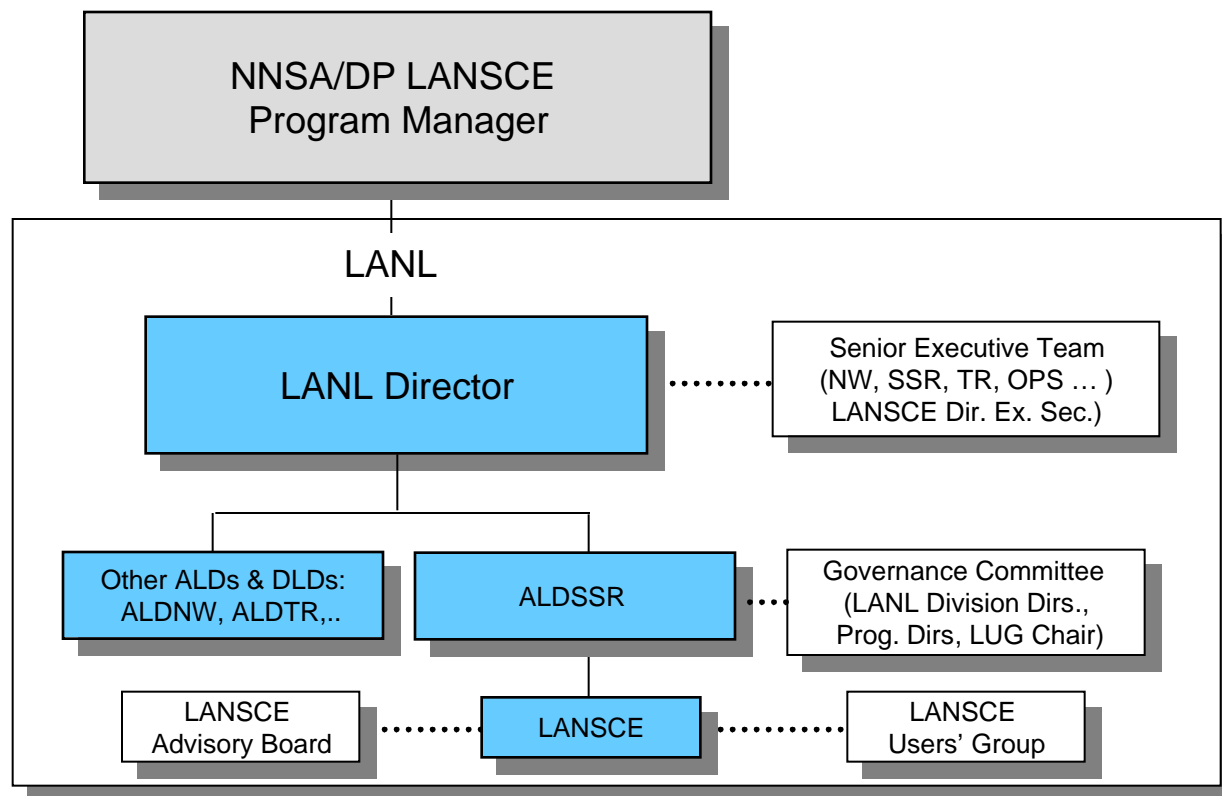
— Authority/Responsibility  
— Funding  
- - - Funding Coordination

# The Governance Model is Responsive to the Needs and Expectations of the Major Customers



- Clearly identified steward in DP
- Clearly delineated responsibilities with respect to the facility and other sponsors
- Single point of contact for all aspects of security, operations, and scientific output is the LANSCE Director
- Participation of all stakeholders at several levels to clarify priorities and resolve conflicts
- Triennial program review by DP, SC, NE and advisors to assess performance and impact
- User and Advisory Groups provide feedback to LANSCE & LANL management on performance

# Clear LANSCE Roles and Responsibilities Defined by LANL



**LANL Director responsible for ensuring adequate resources for operations and for keeping the in-house scientific team viable**

**ALDNW responsible for:**

**Supporting facility based on Director's Guidance**

**Supporting NNSA/DP experimental program**

**ALDSSR responsible for:**

**Line management**

**Supporting Lujan Center operations, the SC experimental program, NE isotope production and AAA activities**



# Highest Priority: Establish a Long-Term Sustainable Program Serving All Users Safely & Reliably

---

- **Complete outage and start user program on schedule: July 1, 2001**
  - Proposals due March 12, 2001 for PAC review
  - Operating period: July through December, 2001
- **Run safely and reliably for ALL users**
- **Implement the governance, management, and science plans to realize the full potential of LANSCE and the Lujan Center**