

OPEN ACCESS --A PRIMER

Gene D. Sprouse*

Editor-in-Chief

American Physical Society

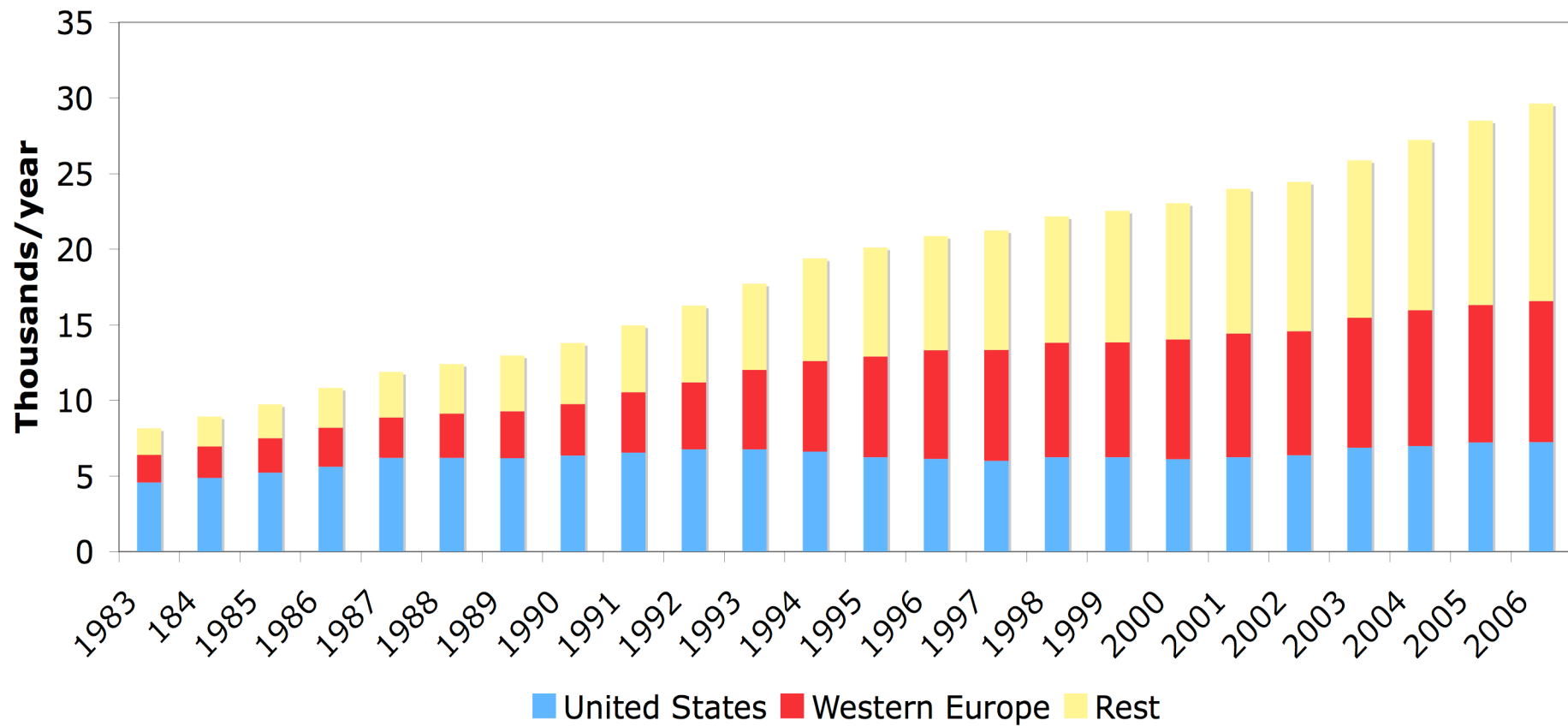
HEPAP Meeting

Washington, Nov 30, 2007

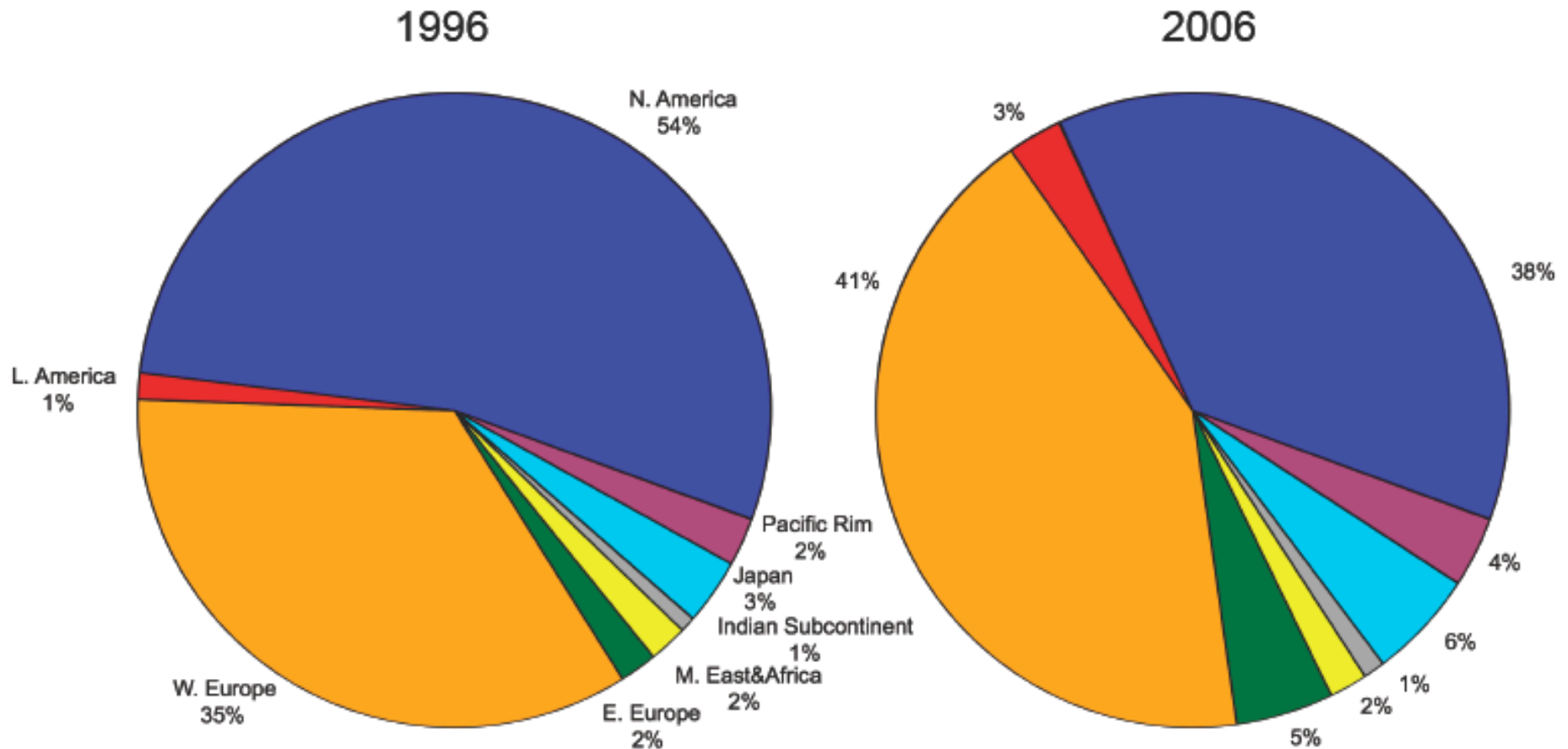
*Distinguished Professor of Physics, Stony Brook University, on leave

First, 4 slides to quickly
introduce APS Journals

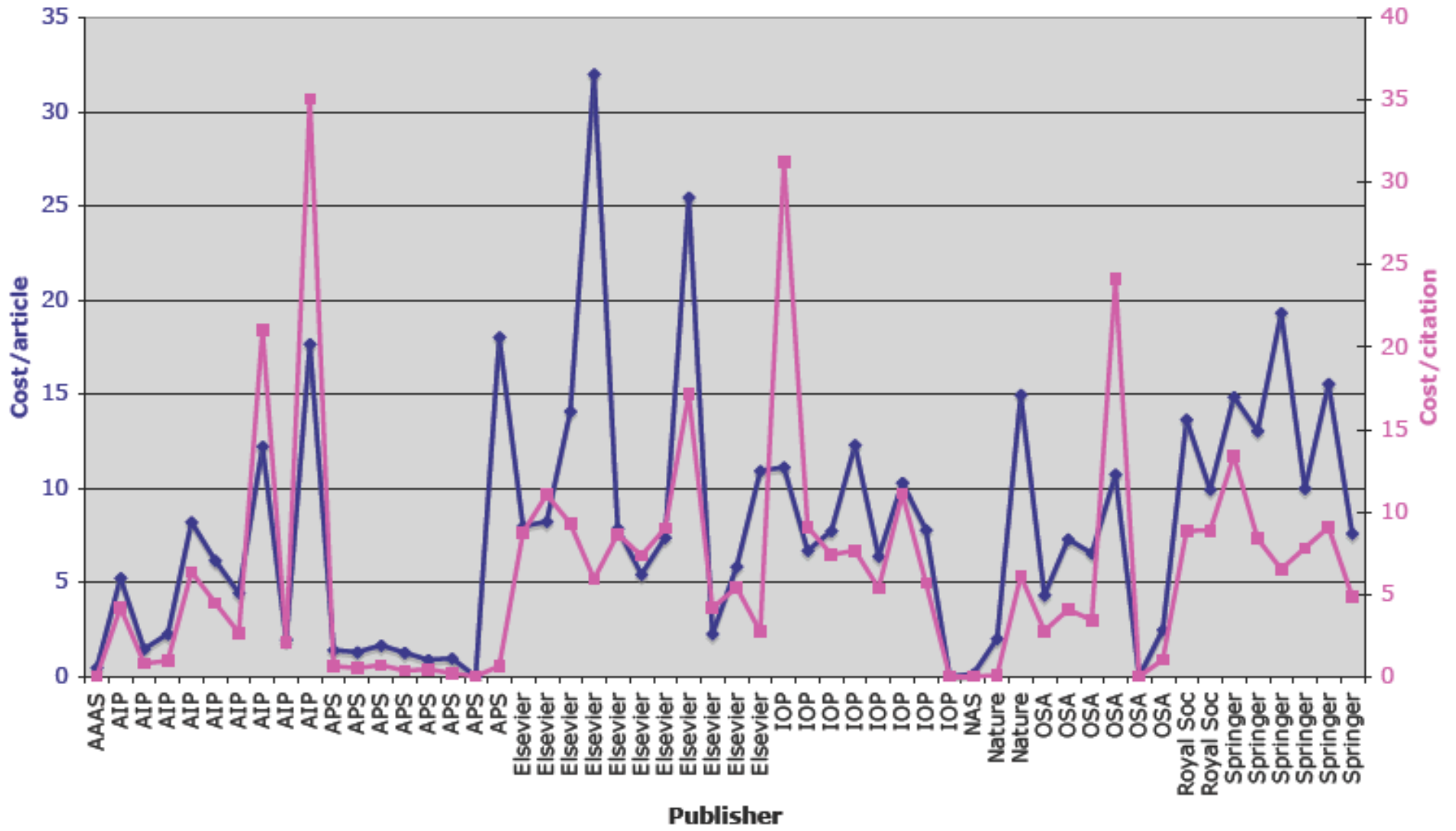
Physical Review and Physical Review Letters Submissions 1983-2006



Physical Review and Physical Review Letters Referees Used for Published Articles



Article and Citation Costs for different Physics Journals, by publisher
<http://www.journalprices.com/>



What is “open access”?

- Articles are available without barriers somewhere on the Web (APS copyright form allows this for final published article, at author’s discretion), **or**
- **Publisher’s content is completely available from the publisher’s site without barriers, or**
- Somewhere in between (e.g. articles on publisher’s site individually available without barriers).

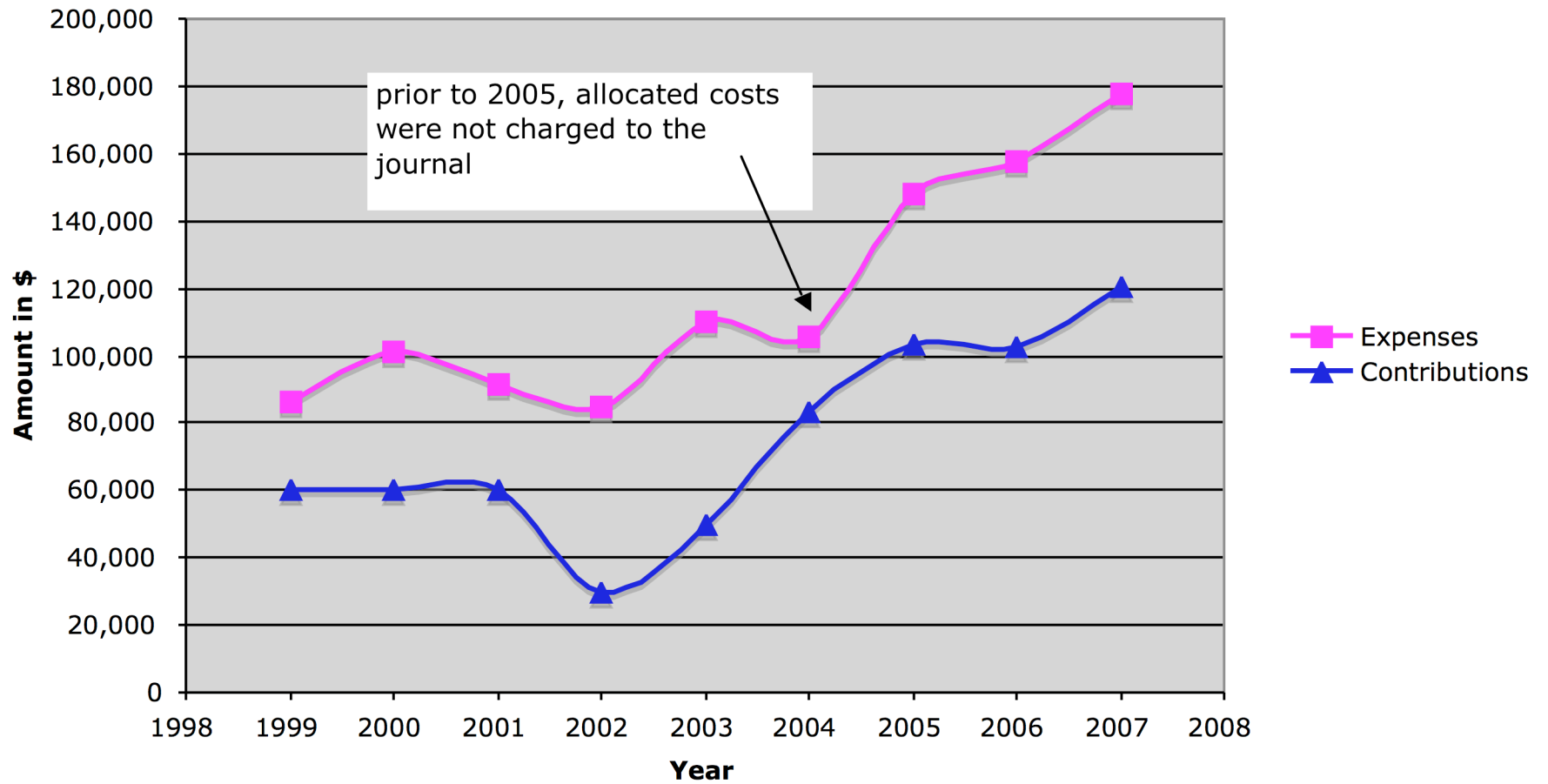
The author(s), and in the case of a Work Made For Hire, as defined in the U.S. Copyright Act, 17 U.S.C. §101, the employer named below, shall have the following rights (the “Author Rights”):

- (1) All proprietary rights other than copyright, such as patent rights.
- (2) The nonexclusive right, after publication by APS, to give permission to third parties to republish print versions of the Article or a translation thereof, or excerpts therefrom, without obtaining permission from APS, provided the APS-formatted version is not used for this purpose and provided the Article is not to be published in another journal. If the APS version is used, permission from APS must be obtained.
- (3) The right, after publication by APS, to use all or part of the Article without revision or modification, including the APS-formatted version, in print compilations or other print publications of the author(s)’ and/or the employer’s own works, and on the author(s)’ and/or the employer’s web home page, and to make copies of all or part of the Article for the author(s)’ and/or the employer’s use for lecture or classroom purposes.
- (4) The right to post and update the Article on e-print servers as long as files prepared and/or formatted by APS or its vendors are not used for that purpose. Any such posting made or updated after acceptance of the Article for publication shall include a link to the online abstract in the APS journal or to the entry page of the journal.
- (5) If the Article was prepared under a U.S. Government contract, the government shall have the rights under the copyright to the extent required by the contract.

All copies of the Article made under any of the Author Rights shall include notice of the APS copyright.

- All APS journals are open access according to the first definition. There are two others which are open on our site without barriers.
- One, begun in 1998, is funded by sponsorship: Phys Rev Special Topics - Accelerators and Beams. We don't fully recover our costs, but since it is small we can absorb the loss.
- A new special topics journal, Physics Education Research is funded by author or author's institution charges.

Expenses and Contributions for Physical Review Special Topics: Accelerators and Beams



In scientific publication we follow the instructions on a bottle of spot remover: “Try this first on an obscure part of the garment, where any damage will be unobservable.”

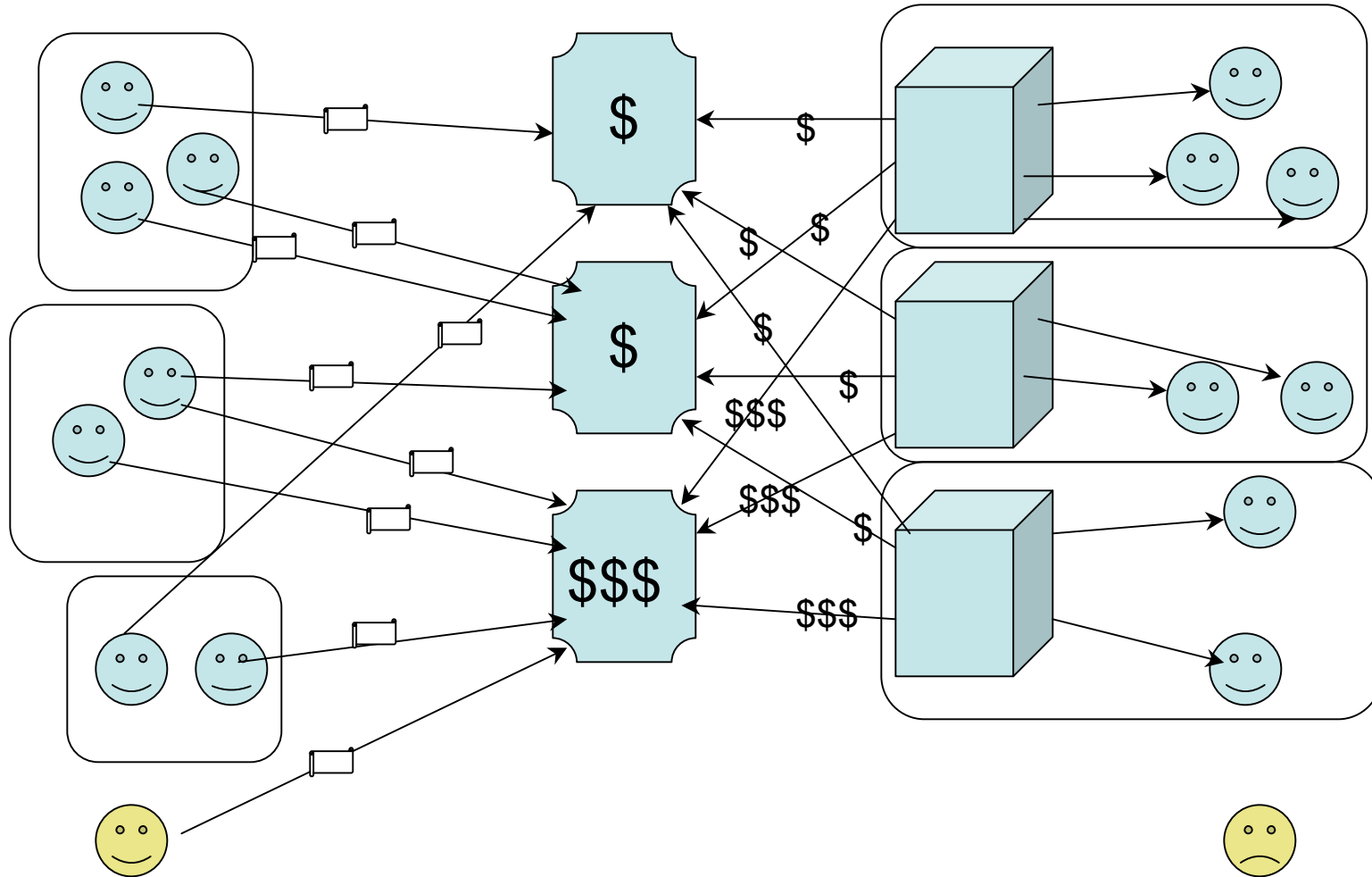
Subscription Model

Authors

Publishers

Libraries

Readers



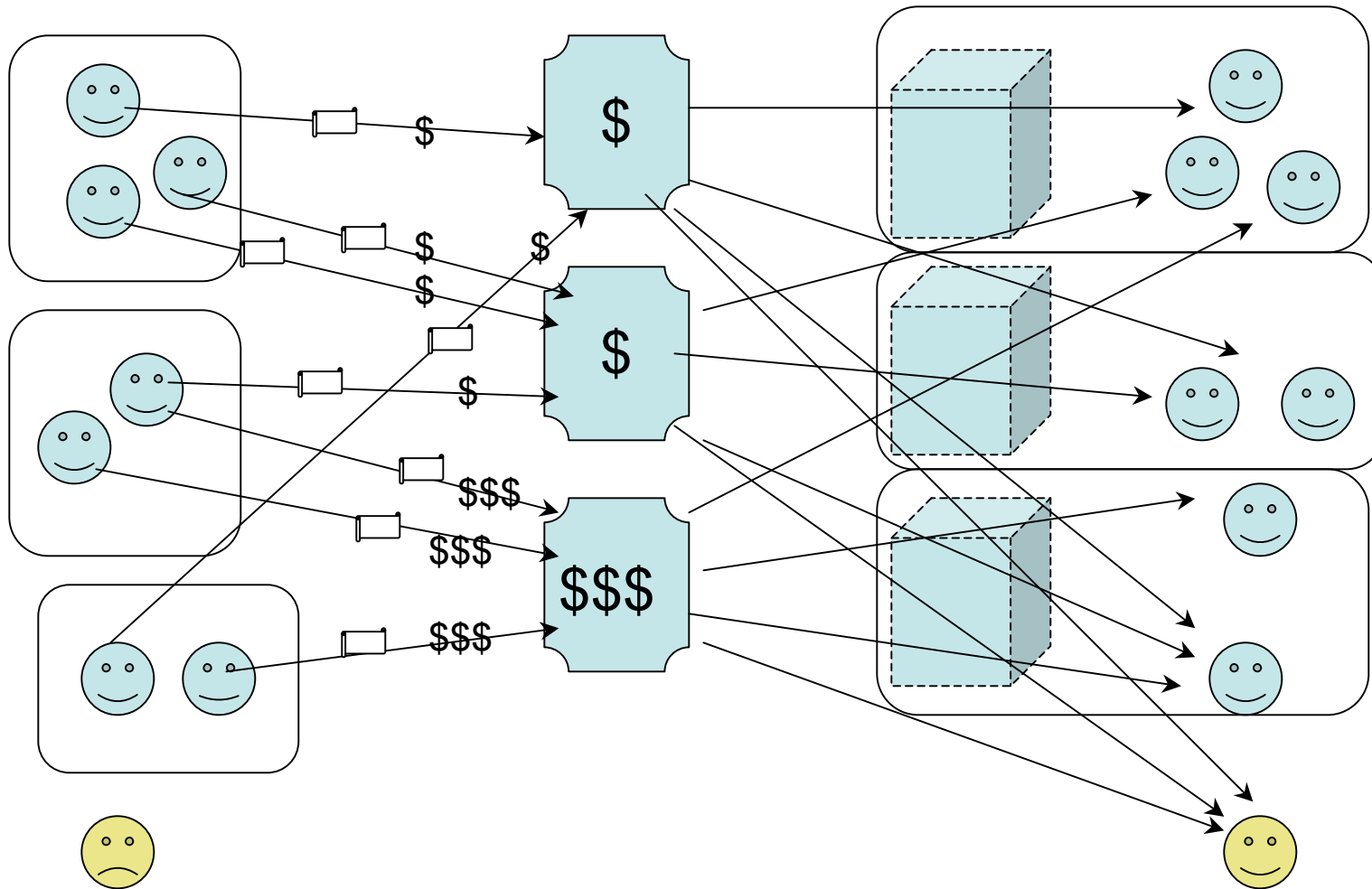
Author Pays Model

Authors

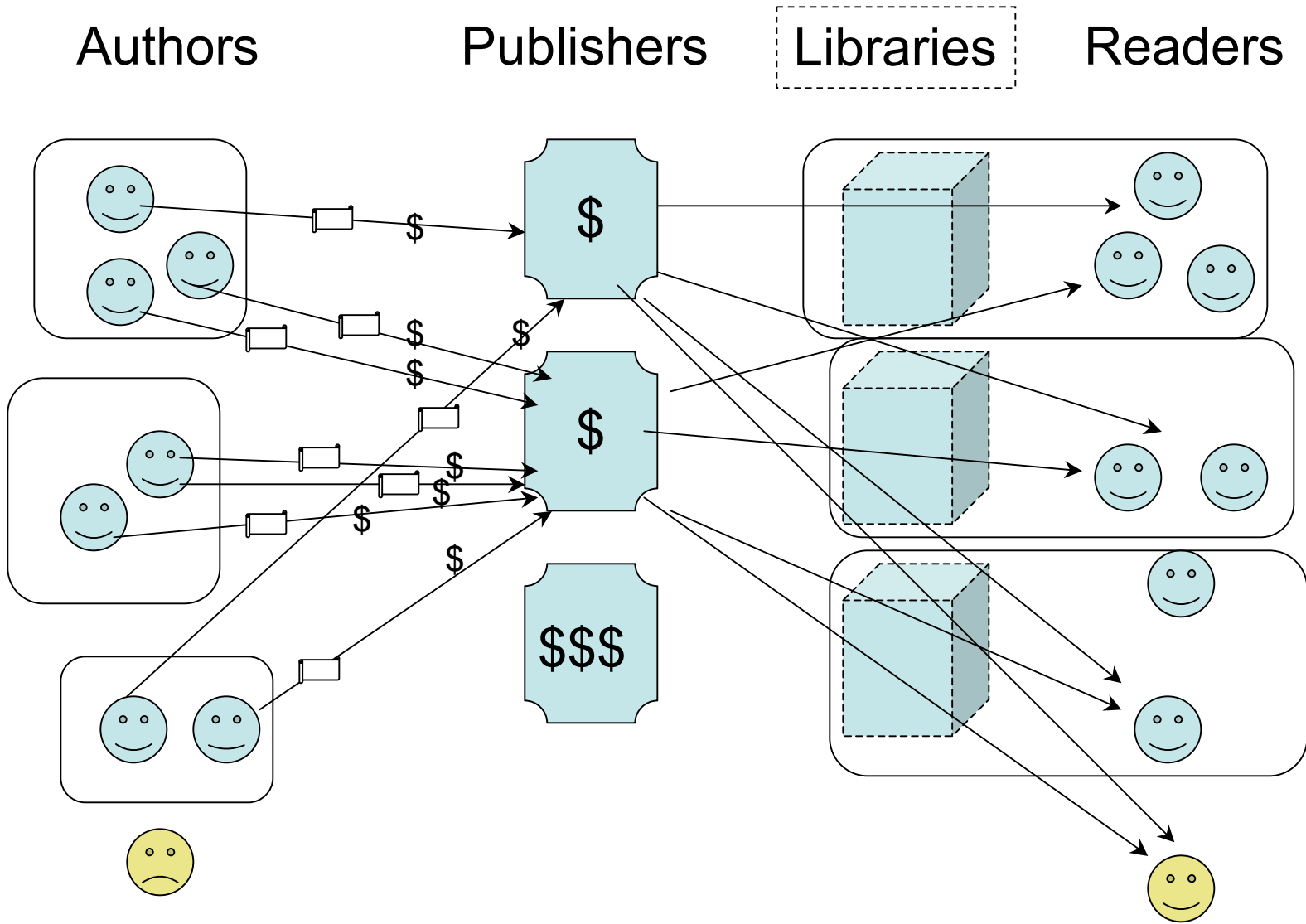
Publishers

Libraries

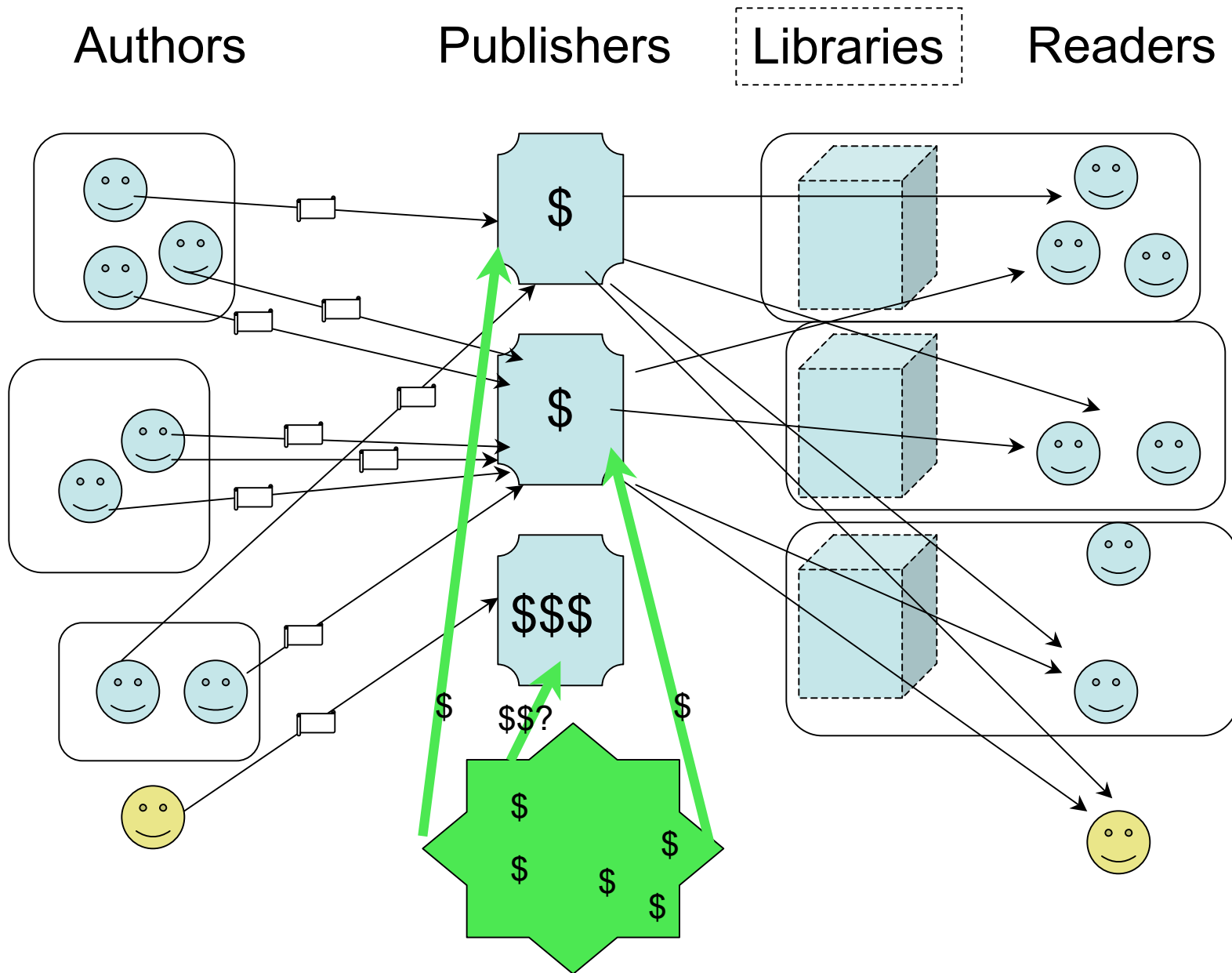
Readers



Author Pays Model, after authors get smart



Consortium Model



- **APS has a responsibility to publish good physics in all fields**
- **To be able to continue to do this, we must remain financially viable**
- **Any Open Access Initiatives must be:**
 - **Sustainable:** the long term prospects for support must be strong
 - **Reversible:** In case the OA initiative is not successful, we need to be able to revert to subscriptions
- If these conditions are met, APS will consider making content available “Free to Read” on our site



The End